



## ZS80-H445.106 S5RW2/2V

### Pneumatic taper change

Item no. **13404004-01**

HF-Spindle for high-speed milling, -grinding, -drilling, -engraving

### Bearings

Hybrid ball bearing (pcs)	3
Lifetime lubricated	maintenance free

### Motor

Motor technology	3-phase synchronous drive (no brushes or sensors)
Frequency	1.500 Hz
Motor poles (pairs)	2
Rated rotation speed	45.000 rpm
Acceleration/braking value Per second	10 000 rpm (other values by consultation)

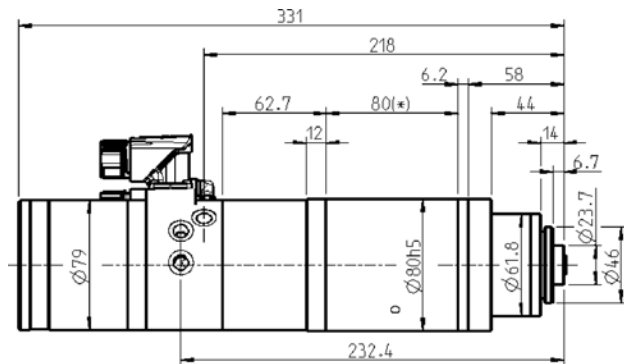
### Power values

Liquid cooled

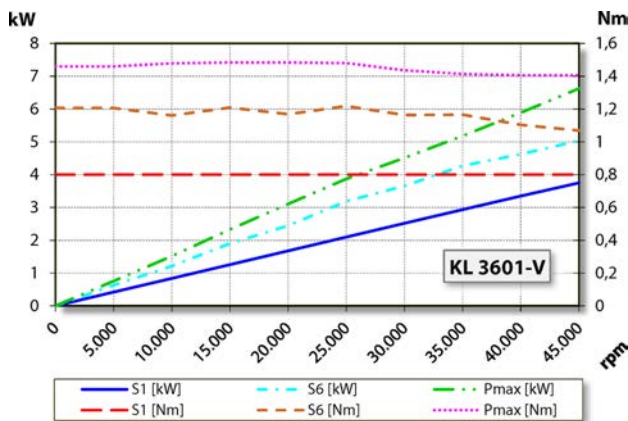
	Pmax./5s	S6-60%	S1-100%	
Rated power	6,6	5	3,8	[kW]
Torque	1,4835	1,218	0,8	[Nm]
Voltage	311,2	275	291	[V]
Current	15,36	12,6	9,5	[A]

**ZS80-H445.106 S5RW2/2V**

Pneumatic taper change  
Item no. 13404004-01



Dimensions



Performance Diagram  
Liquid cooled

Measurement of power is funded by in-house testing.

**Characteristics**

Speed sensor	Vector control
Toothed wheel	Teeth = 128 Module = 0,3
Motor protection	Pt1000
Housing	Stainless steel
Housing diameter	80 / 62 mm
Cooling	Liquid cooled
Ambient temperature	+ 10°C ... + 45°C
Sealing air	
Protection category (sealing air turned on)	IP54
Taper cleaning/internal compressed air supply during operation	
Tool change	Pneumatic taper change
Tool Holder	HSK-E 25
Tool change monitoring	inductive
2 positions	clamped, ejected
Clamping range up to	10 mm
Clockwise and anticlockwise	
	9-pin (SpeedTEC) (motor phases)
Coupler plug	17-pin (SpeedTEC) (sensors)
Weight	~ 7 kg
Inner taper run out	< 1 μ
Axial run-out	< 1 μ