

Chopper 5000 HSK S5

Pneumatic taper change

Item no. **11505001**

HF-Spindle for high-speed milling, -grinding, -drilling, -engraving

Bearings

Steel ball bearing (pcs)	3
Lifetime lubricated	maintenance free

Motor

Motor technology	3-phase asynchronous drive (no brushes or sensors)
Frequency	500 Hz
Motor poles (pairs)	1
Rated rotation speed	30.000 rpm
Acceleration/braking value Per second	10 000 rpm (other values by consultation)

Power values

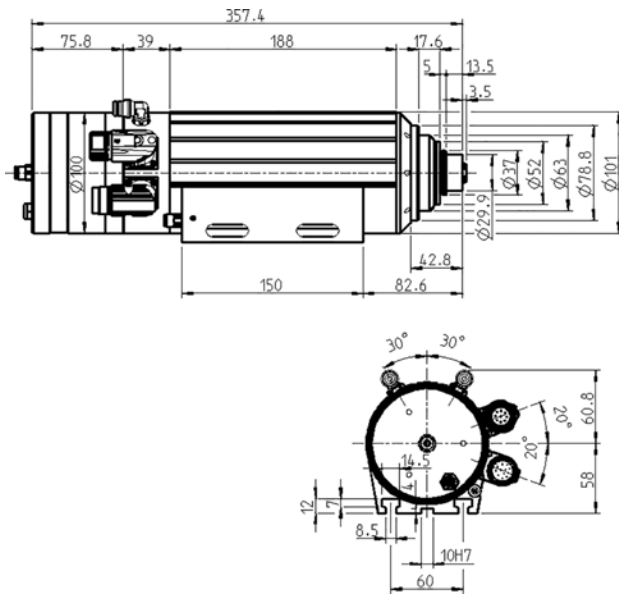
Liquid cooled

	Pmax./5s	S6-60%	S1-100%	
Rated power	7,5	6,5	5	[kW]
Torque	2,9	2,4	1,7	[Nm]
Voltage	380	380	380	[V]
Current	19	14,5	10,3	[A]

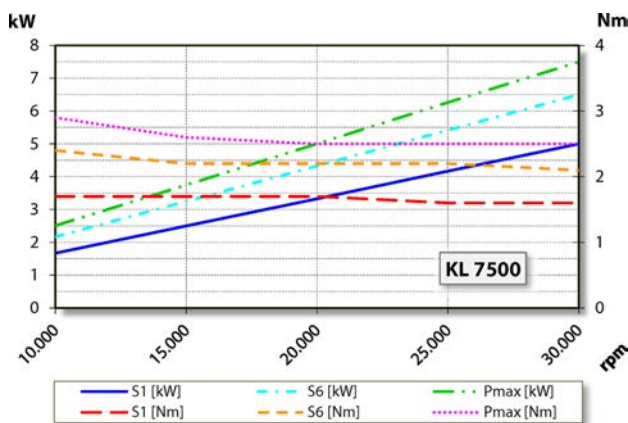
Chopper 5000 HSK S5

Pneumatic taper change

Item no. **11505001**



Dimensions



Performance Diagram

Liquid cooled

Measurement of power is funded by in-house testing.

Characteristics

Speed sensor	Differential magneto resistor (TTL) Number of signals = 6
Motor protection	PTC 130°C
Housing	Aluminium
Housing diameter	100 mm
T-slots	DIN 650-8
Spindle holder integrated	
Cooling	Liquid cooled
Ambient temperature	+ 10°C ... + 45°C
Sealing air	
Protection category (sealing air turned on)	IP54
Taper cleaning	
Tool change	Pneumatic taper change
Tool Holder	HSK-E 32
Tool change monitoring	inductive
1 position	clamped
Clamping range up to	13 mm
Clockwise and anticlockwise	
Coupler plug	9-pin (SpeedTEC) (motor phases) 12-pin (sensors)
Weight	~ 9,4 kg
Inner taper run out	< 2 µ
Axial run-out	< 2 µ